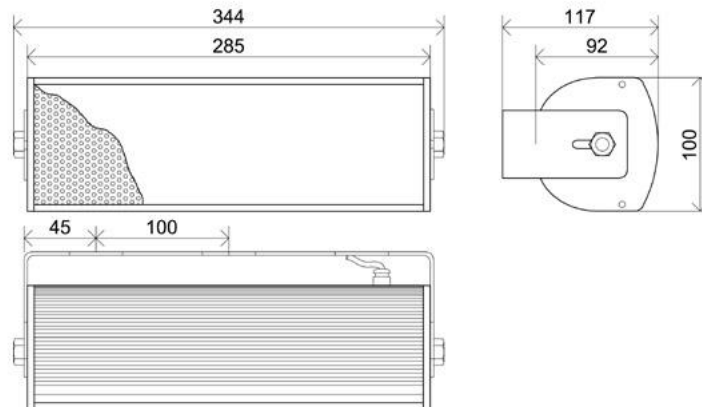


TS- C 10-300/ T



Technical Specifications:

Type:	TS- C 10-300/ T
Power:	10/6/3/1,5 W
Frequency Range:	150 - 18.000 Hz
SPL 1W/1m:	93,3 dB
SPL Pmax/1m:	103,3 dB
Dimensions:	344x100x92 mm
Temperature range:	-30 / +100 °C
Dispersion angle (-10dB):	232° (H) / 140° (V)
Weight:	2,1 kg
Packing Unit:	1
Protection Class:	IP66 certified
Fire Protection (DIN4102):	
Mounting:	Wall mounting bracket
Connector:	5- adriges Kabel
Colour:	RAL 9006



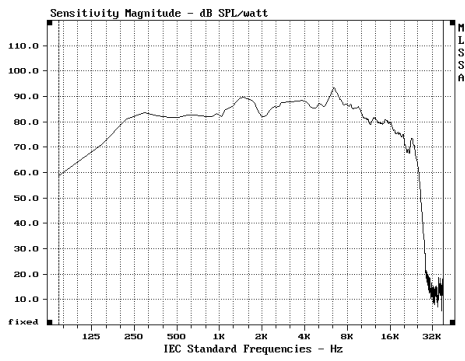
Product Attributes:



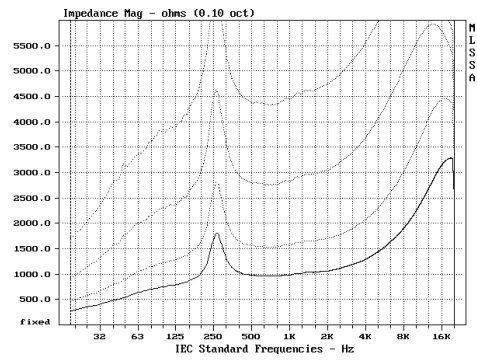
TS- C 10-300/ T

Frequency Diagrams:

Sound Pressure Level

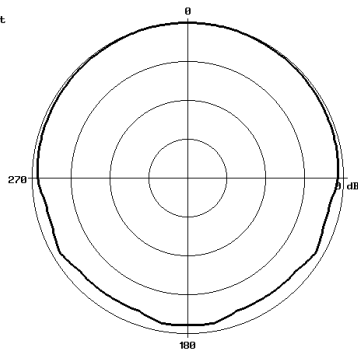


Impedance

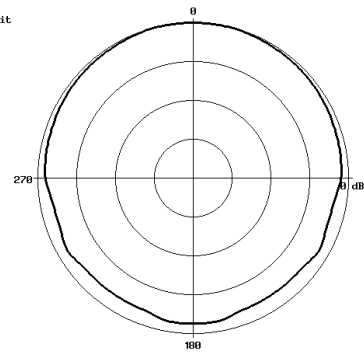


Polar Diagrams (H)

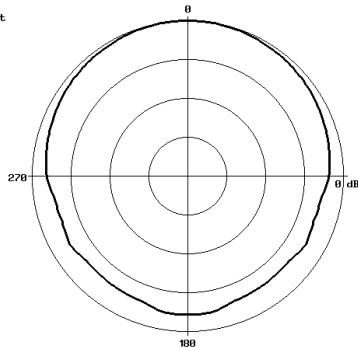
Kurven: -10dB/Einheit
 1: 125Hz/+70.9dB
 2: 125Hz/+70.9dB



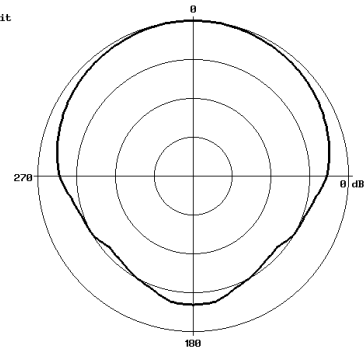
Kurven: -10dB/Einheit
 1: 250Hz/+82.4dB
 2: 250Hz/+82.4dB



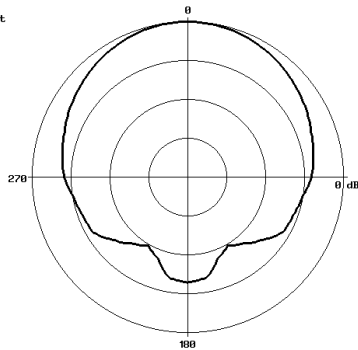
Kurven: -10dB/Einheit
 1: 500Hz/+82.2dB
 2: 500Hz/+82.2dB



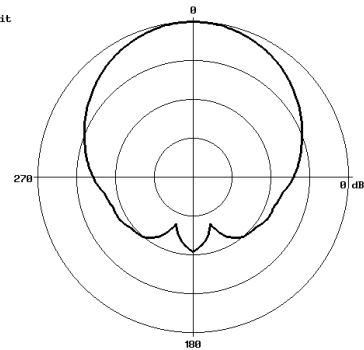
Kurven: -10dB/Einheit
 1: 1.00kHz/+85.0dB
 2: 1.00kHz/+85.0dB



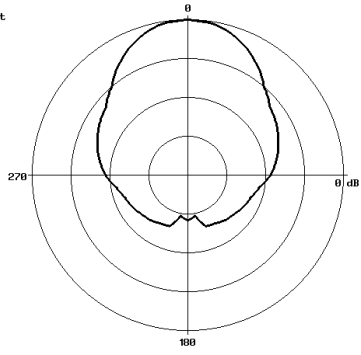
Kurven: -10dB/Einheit
 1: 2.00kHz/+86.2dB
 2: 2.00kHz/+86.2dB



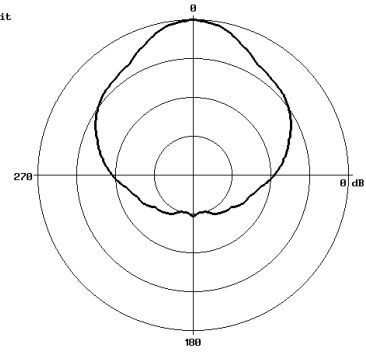
Kurven: -10dB/Einheit
 1: 4.00kHz/+87.4dB
 2: 4.00kHz/+87.4dB



Kurven: -10dB/Einheit
1: 0.00kHz/+96.9dB
2: 8.00kHz/+86.9dB



Kurven: -10dB/Einheit
1: 16.00kHz/+77.1dB
2: 16.00kHz/+77.1dB

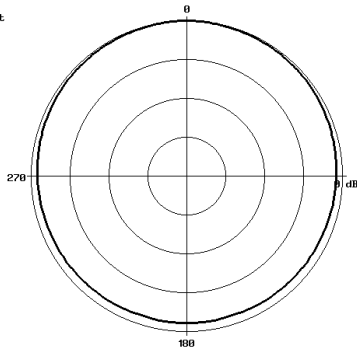


TS- C 10-300/ T

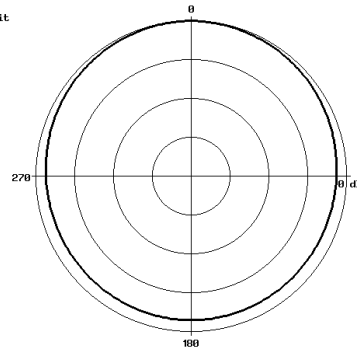
Frequency Diagrams:

Polar Diagrams (V)

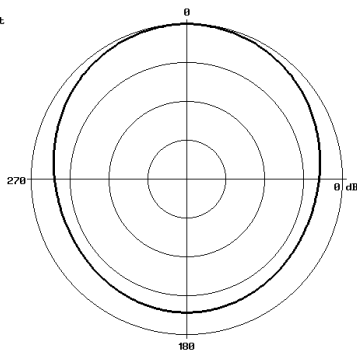
Kurven: -10dB/Einheit
 1: 125Hz/+71.0dB
 2: 125Hz/+71.0dB



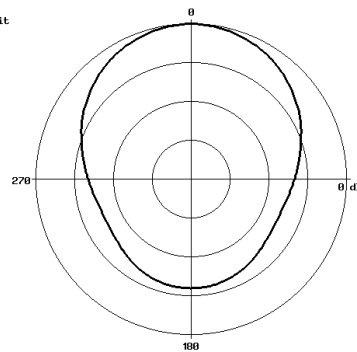
Kurven: -10dB/Einheit
 1: 250Hz/+82.0dB
 2: 250Hz/+82.0dB



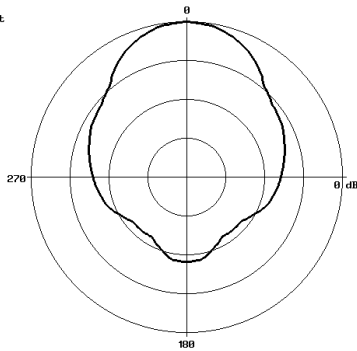
Kurven: -10dB/Einheit
 1: 500Hz/+83.4dB
 2: 500Hz/+83.4dB



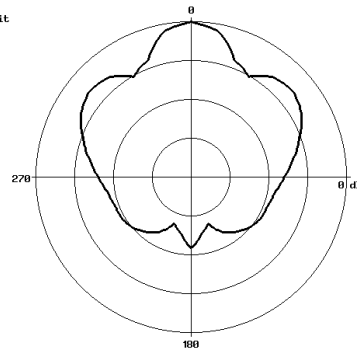
Kurven: -10dB/Einheit
 1: 1.00kHz/+86.0dB
 2: 1.00kHz/+86.0dB



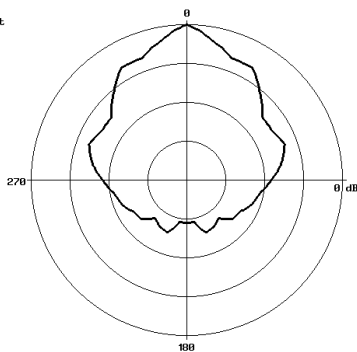
Kurven: -10dB/Einheit
 1: 2.00kHz/+86.2dB
 2: 2.00kHz/+86.2dB



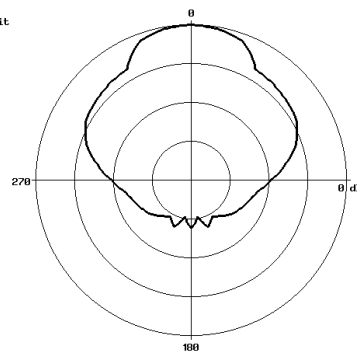
Kurven: -10dB/Einheit
 1: 4.00kHz/+86.9dB
 2: 4.00kHz/+86.9dB



Kurven: -10dB/Einheit
 1: 8.00kHz/+86.3dB
 2: 8.00kHz/+86.3dB



Kurven: -10dB/Einheit
 1: 16.00kHz/+75.0dB
 2: 16.00kHz/+75.0dB



Measurements according to DIN IEC 268-5 | RoHS compliant (2002/95/ EG)