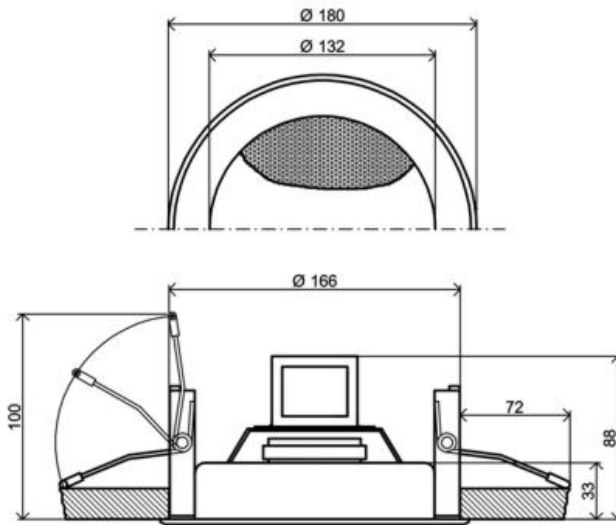


DL 06-130/T



Technical Specifications:

Type:	DL 06-130/T
Power:	6/3/1,5 W
Frequency Range:	90 - 15.000 Hz
<u>SPL 1W/1m:</u>	93 dB
<u>SPL Pmax/1m:</u>	101 dB
Dimensions:	180x100 mm
Ceiling Cut-out:	166 mm
Temperature range:	-20 / +80 °C
Dispersion angle (-10dB):	180° (H) / 180° (V)
Weight:	1,0 kg
Packing Unit:	12
Protection Class:	
Fire Protection (DIN4102):	
Mounting:	Quick fit mounting
Connector:	Steckverbindungsklemme
Colour:	RAL 9010



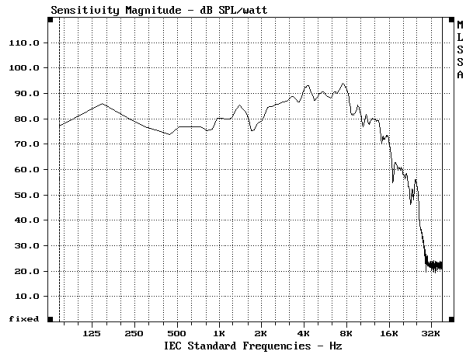
Product Attributes:



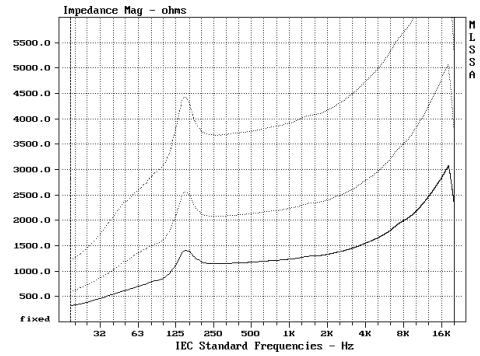
DL 06-130/T

Frequency Diagrams:

Sound Pressure Level

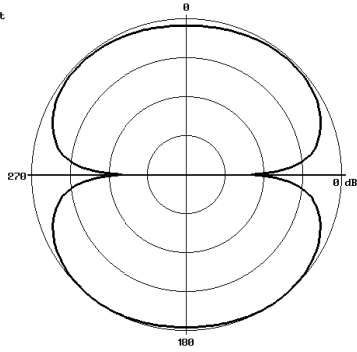


Impedance

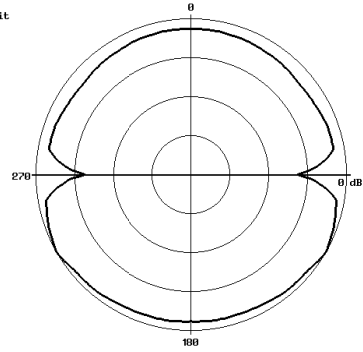


Polar Diagrams (H)

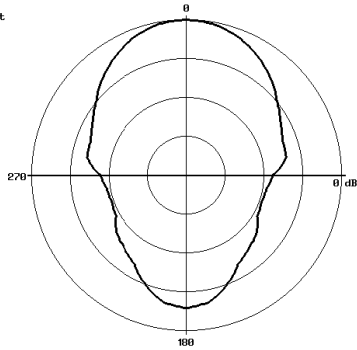
Kurven: -10dB/Einheit
 1: 250Hz/+00.6dB
 2: 250Hz/+00.6dB



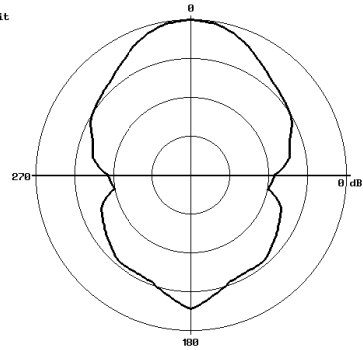
Kurven: -10dB/Einheit
 1: 1.00kHz/+03.0dB
 2: 1.00kHz/+03.0dB



Kurven: -10dB/Einheit
 1: 4.00kHz/+09.5dB
 2: 4.00kHz/+09.5dB



Kurven: -10dB/Einheit
 1: 16.00kHz/+70.5dB
 2: 16.00kHz/+70.5dB

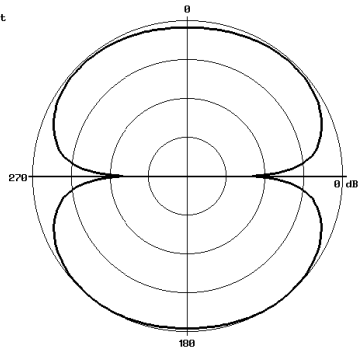


DL 06-130/T

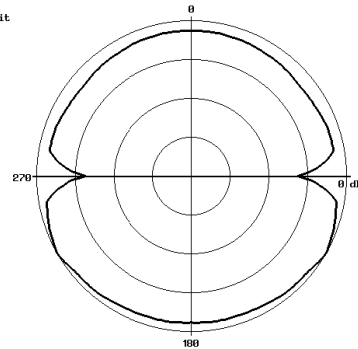
Frequency Diagrams:

Polar Diagrams (V)

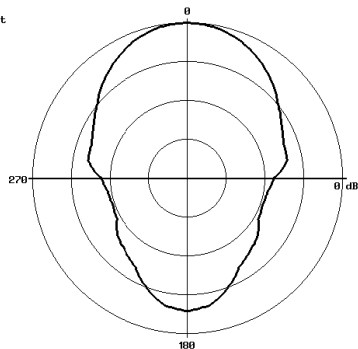
Kurven: -10dB/Einheit
1: 250Hz/+88.6dB
2: 250Hz/+88.6dB



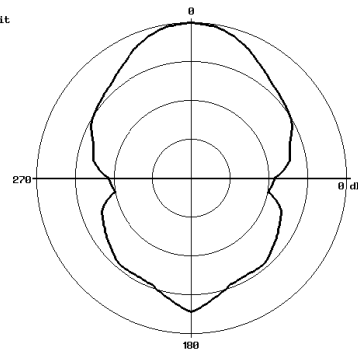
Kurven: -10dB/Einheit
1: 1.00kHz/+83.0dB
2: 1.00kHz/+83.0dB



Kurven: -10dB/Einheit
1: 4.00kHz/+89.5dB
2: 4.00kHz/+89.5dB



Kurven: -10dB/Einheit
1: 16.00kHz/+79.5dB
2: 16.00kHz/+79.5dB



Measurements according to DIN IEC 268-5

Please note: Because of many different types of ceiling materials and ceiling strengths we recommend to build in a sample of the speaker to match the requirements accurately.